

- Final Drawing -
Issued for Permit
Review Purposes Only

REVISIONS:

#	DATE	DESCRIPTION
1	1-APR-24	ISSUED FOR INITIAL REVIEW
2	3-JUN-24	REVISED PER REVIEW COMMENTS

EXISTING CONDITIONS & DEMOLITION PLAN
WALLBROOK - LOT 8
MASS GRADING / EROSION CONTROL
 Town of Rolesville Project No. CID 24-03
 Rolesville, Wake County, North Carolina
 S Main St. / US-401 Business & Wall Creek Drive

NC License: P-1199
ARK CONSULTING GROUP PLLC
 ENGINEERS & PLANNERS
 2755-B Charles Blvd
 Charlotte, NC 28205
 (754) 558-0888
 www.arkconsultinggroup.com

Final Drawing
 6/7/2024

Project Manager: BCF
 Drawn By: DLC
 Checked By: TN
 Project Number: 24137
 Drawing Number: D-1472

C0.2

Date: April 1, 2024

GROUND STABILIZATION AND MATERIALS HANDLING PRACTICES FOR COMPLIANCE WITH THE NCGO1 CONSTRUCTION GENERAL PERMIT

Implementing the details and specifications on this plan sheet will result in the construction activity being considered compliant with the Ground Stabilization and Materials Handling sections of the NCGO1 Construction General Permit (Sections E and F, respectively). The permittee shall comply with the Erosion and Sediment Control plan approved by the delegated authority having jurisdiction. All details and specifications shown on this sheet may not apply depending on site conditions and the delegated authority having jurisdiction.

SECTION E: GROUND STABILIZATION

Site Area Description	Required Ground Stabilization Timeframes	
	Stabilize within this many calendar days after ceasing land disturbance	Timeframe variations
(a) Perimeter dikes, swales, ditches, and perimeter slopes	7	None
(b) High Quality Water (HQW) Zones	7	None
(c) Slopes steeper than 3:1	7	If slopes are 10' or less in length and are not steeper than 2:1, 14 days are allowed. -7 days for slopes greater than 50' in length and with slopes steeper than 4:1 -7 days for perimeter dikes, swales, ditches, perimeter slopes and HQW Zones -10 days for Falls Lake Watershed
(d) Slopes 3:1 to 4:1	14	-7 days for perimeter dikes, swales, ditches, perimeter slopes and HQW Zones -10 days for Falls Lake Watershed
(e) Areas with slopes flatter than 4:1	14	-7 days for perimeter dikes, swales, ditches, perimeter slopes and HQW Zones -10 days for Falls Lake Watershed unless there is zero slope

Note: After the permanent cessation of construction activities, any areas with temporary ground stabilization shall be converted to permanent ground stabilization as soon as practicable but in no case longer than 90 calendar days after the last land disturbing activity. Temporary ground stabilization shall be maintained in a manner to render the surface stable against accelerated erosion until permanent ground stabilization is achieved.

GROUND STABILIZATION SPECIFICATION

Stabilize the ground sufficiently so that rain will not dislodge the soil. Use one of the techniques in the table below:

Temporary Stabilization	Permanent Stabilization
<ul style="list-style-type: none"> Temporary grass seed covered with straw or other mulches and tackifiers Hydroseeding Roll-on erosion control products with or without temporary grass seed Hydroseeding Appropriately applied straw or other mulch Plastic sheeting 	<ul style="list-style-type: none"> Permanent grass seed covered with straw or other mulches and tackifiers Geotextile fabrics such as permanent soil reinforcement matting Hydroseeding Shrubs or other permanent plantings covered with mulch Uniform and evenly distributed ground cover sufficient to retain erosion Structural methods such as concrete, asphalt or retaining walls Roll-on erosion control products with grass seed

POLYACRYLAMIDES (PAMS) AND FLOCCULANTS

- Select flocculants that are appropriate for the soils being exposed during construction, selecting from the NC DWR List of Approved PAMS/Flocculants.
- Apply flocculants at or before the inlets to Erosion and Sediment Control Measures.
- Apply flocculants at the concentrations specified in the NC DWR List of Approved PAMS/Flocculants and in accordance with the manufacturer's instructions.
- Provide ponding area for containment of treated Stormwater before discharging off-site.
- Store flocculants in leak-proof containers that are kept under storm-resistant cover or surrounded by secondary containment structures.

EQUIPMENT AND VEHICLE MAINTENANCE

- Maintain vehicles and equipment to prevent discharge of fluids.
- Provide drip pans under any stored equipment.
- Identify leaks and repair as soon as feasible, or remove leaking equipment from the project.
- Collect all spent fluids, store in separate containers and properly dispose as hazardous waste (recycle when possible).
- Remove leaking vehicles and construction equipment from service until the problem has been corrected.
- Bring used fuels, lubricants, coolants, hydraulic fluids and other petroleum products to a recycling or disposal center that handles these materials.

LITTER, BUILDING MATERIAL AND LAND CLEARING WASTE

- Never bury or burn waste. Place litter and debris in approved waste containers.
- Provide a sufficient number and size of waste containers (e.g. dumpster, trash receptacle) on site to contain construction and domestic wastes.
- Locate waste containers at least 50 feet away from storm drain inlets and surface waters unless no other alternatives are reasonably available.
- Locate waste containers on areas that do not receive substantial amounts of runoff from upland areas and does not drain directly to a storm drain, stream or wetland.
- Cover waste containers at the end of each workday and before storm events or provide secondary containment. Repair or replace damaged waste containers.
- Anchor all lightweight items in waste containers during times of high winds.
- Empty waste containers as needed to prevent overflow. Clean up immediately if containers overflow.
- Dispose waste off-site at an approved disposal facility.
- On business days, clean up and dispose of waste in designated waste containers.

PAINT AND OTHER LIQUID WASTE

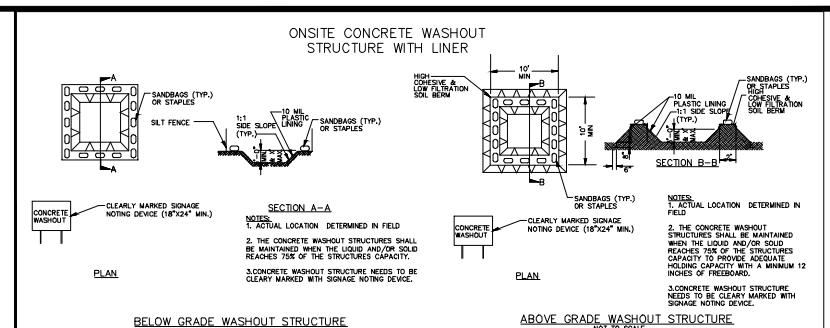
- Do not dump paint and other liquid waste into storm drains, streams or wetlands.
- Locate paint washouts at least 50 feet away from storm drain inlets and surface waters unless no other alternatives are reasonably available.
- Contain liquid wastes in a controlled area.
- Containment must be labeled, sited and placed appropriately for the needs of site.
- Prevent the discharge of soaps, solvents, detergents and other liquid wastes from construction sites.

PORTABLE TOILETS

- Install portable toilets on level ground, at least 50 feet away from storm drains, streams or wetlands unless there is no alternative reasonably available. If 50 foot offset is not attainable, provide relocation of portable toilet behind silt fence or place on a gravel pad and surround with sand bags.
- Provide staking or anchoring of portable toilets during periods of high winds or in high foot traffic areas.
- Monitor portable toilets for leaking and properly dispose of any leaked material. Utilize a licensed sanitary waste hauler to remove leaking portable toilets and replace with properly operating units.

EARTHEN STOCKPILE MANAGEMENT

- Show stockpile locations on plans. Locate earthen-material stockpile areas at least 50 feet away from storm drain inlets, sediment basins, perimeter sediment controls and surface waters unless it can be shown no other alternatives are reasonably available.
- Protect stockpile with silt fence installed along toe of slope with a minimum offset of five feet from the toe of stockpile.
- Provide stable stone access points when feasible.
- Stabilize stockpile within the timeframes provided on this sheet and in accordance with the approved plan and any additional requirements. Soil stabilization is defined as vegetative, physical or chemical cover techniques that will restrain accelerated erosion on disturbed soils for temporary or permanent control needs.



CONCRETE WASHOUTS

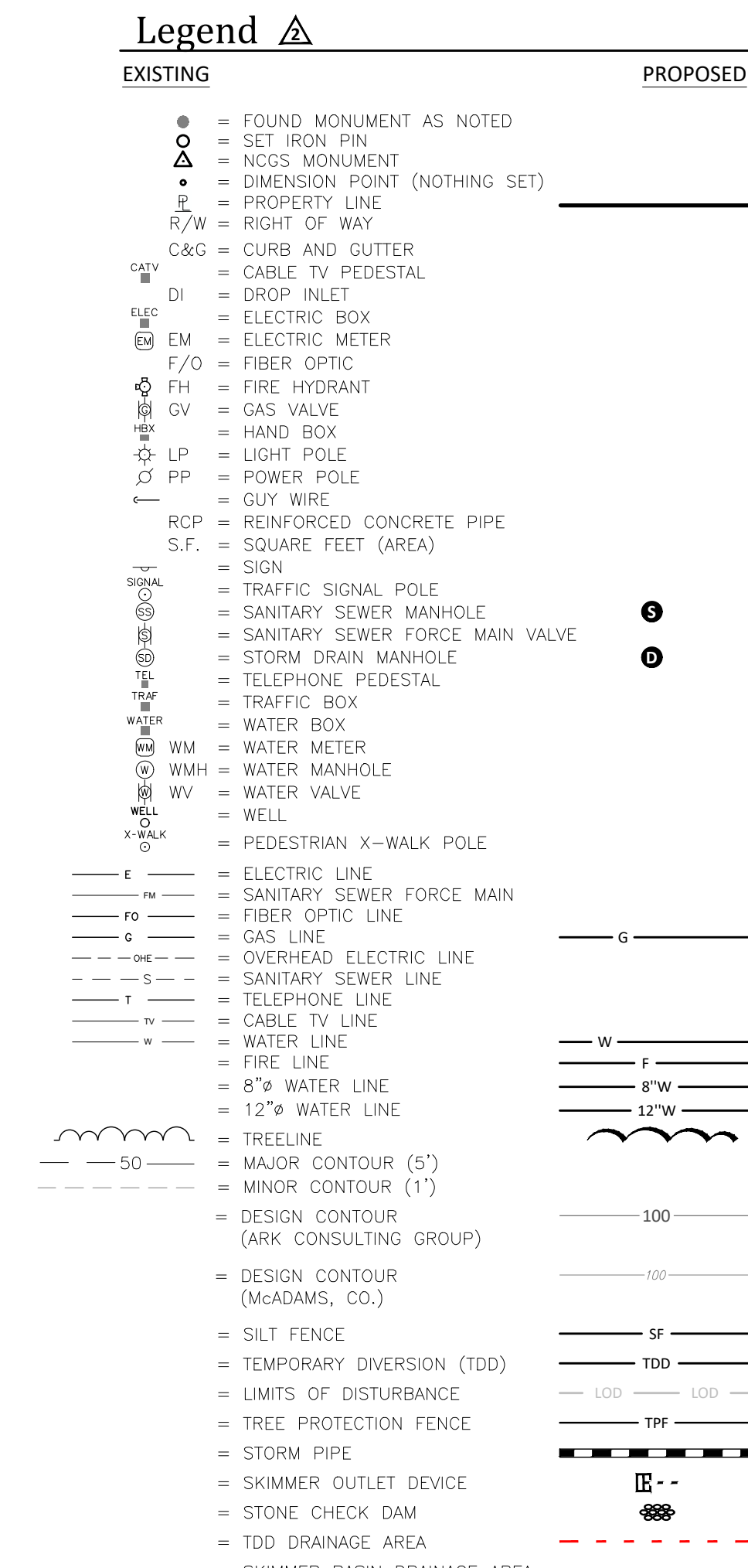
- Do not discharge concrete or cement slurry from the site.
- Dispose of, or recycle settled, hardened concrete residue in accordance with local and state solid waste regulations and at an approved facility.
- Manage washout from mortar mixers in accordance with the above item and in addition place the mixer and associated materials on impervious barrier and within lot perimeter silt fence.
- Install temporary concrete washouts per local requirements, where applicable. If an alternate method or product is to be used, contact your approval authority for review and approval. If local standard details are not available, use one of the two types of temporary concrete washouts provided on this detail.
- Do not use concrete washouts for dewatering or storing defective curb or sidewalk sections. Stormwater accumulated within the washout may not be pumped into or discharged to the storm drain system or receiving surface waters. Liquid waste must be pumped out and removed from project.
- Locate washouts at least 50 feet from storm drain inlets and surface waters unless it can be shown that no other alternatives are reasonably available. At a minimum, install protection of storm drain inlets (closest to the washout which could receive spills or overflow).
- Locate washouts in an easily accessible area, on level ground and install a stone entrance pad in front of the washout. Additional controls may be required by the approving authority.
- Install at least one sign directing concrete trucks to the washout within the project limits. Post signage on the washout itself to identify this location.
- Remove leavings from the washout when at approximately 75% capacity to limit overflow events. Replace the tarp, sand bags or other temporary structural components when no longer functional. When utilizing alternative or proprietary products, follow manufacturer's instructions.
- At the completion of the concrete work, remove remaining leavings and dispose of in an approved disposal facility. Fill pit, if applicable, and stabilize any disturbance caused by removal of washout.

HERBICIDES, PESTICIDES AND RODENTICIDES

- Store and apply herbicides, pesticides and rodenticides in accordance with label restrictions.
- Store herbicides, pesticides and rodenticides in their original containers with the label, which lists directions for use, ingredients and first aid steps in case of accidental poisoning.
- Do not store herbicides, pesticides and rodenticides in areas where flooding is possible or where they may spill or leak into wells, stormwater drains, ground water or surface water. If a spill occurs, clean area immediately.
- Do not stockpile these materials onsite.

HAZARDOUS AND TOXIC WASTE

- Create designated hazardous waste collection areas on-site.
- Place hazardous waste containers under cover or in secondary containment.
- Do not store hazardous chemicals, drums or bagged materials directly on the ground.



NCGO1 GROUND STABILIZATION AND MATERIALS HANDLING EFFECTIVE: 04/01/19

PART III SELF-INSPECTION, RECORDKEEPING AND REPORTING

SECTION A: SELF-INSPECTION

Self-inspections are required during normal business hours in accordance with the table below. When adverse weather or site conditions would cause the safety of the inspection personnel to be in jeopardy, the inspection may be delayed until the next business day on which it is safe to perform the inspection. In addition, when a storm event of equal to or greater than 1.0 inch occurs outside of normal business hours, the self-inspection shall be performed upon the commencement of the next business day. Any time when inspections were delayed shall be noted in the inspection Record.

Inspect	Frequency (at least once per business hour)	Inspection records must include:
(1) Soil erosion control measures in place	Every	1. Date and time of inspection 2. Name of the person performing the inspection 3. Description of maintenance needs for the measures 4. Description, location, and date of corrective action taken
(2) Erosion control measures	At least once per calendar day and within 24 hours of a rain event > 1.0 inch in 24 hours	1. Date and time of inspection 2. Name of the person performing the inspection 3. Description of maintenance needs for the measures 4. Description, location, and date of corrective action taken
(3) Stormwater discharge devices (SDDs)	At least once per calendar day and within 24 hours of a rain event > 1.0 inch in 24 hours	1. Date and time of inspection 2. Name of the person performing the inspection 3. Description of maintenance needs for the measures 4. Description, location, and date of corrective action taken
(4) Perimeter dikes	At least once per calendar day and within 24 hours of a rain event > 1.0 inch in 24 hours	1. Date and time of inspection 2. Name of the person performing the inspection 3. Description of maintenance needs for the measures 4. Description, location, and date of corrective action taken
(5) Streams or other water courses or ditches (where applicable)	At least once per calendar day and within 24 hours of a rain event > 1.0 inch in 24 hours	1. Date and time of inspection 2. Name of the person performing the inspection 3. Description of maintenance needs for the measures 4. Description, location, and date of corrective action taken
(6) Erosion stabilization measures	After each phase of grading	1. Date and time of inspection 2. Name of the person performing the inspection 3. Description of maintenance needs for the measures 4. Description, location, and date of corrective action taken

NOTE: The rain inspection resets the required 7 calendar day inspection requirement.

PART III SELF-INSPECTION, RECORDKEEPING AND REPORTING

SECTION B: RECORDKEEPING

1. E&S Plan Documentation

The approved E&S plan as well as any approved deviation shall be kept on the site. The approved E&S plan must be kept up-to-date throughout the coverage under this permit. The following items pertaining to the E&S plan shall be documented in the manner described:

Item to Document	Documentation Requirements
(a) Each E&S Measure has been installed and does not significantly deviate from the location, dimensions and relative elevations shown on the approved E&S Plan.	Initial and date each E&S Measure on a copy of the approved E&S Plan or complete, date and sign an inspection report that lists each E&S Measure shown on the approved E&S Plan. This documentation is required for all E&S Measures of the E&S Plan. E&S Measures are modified after initial installation.
(b) A plan of grading has been completed.	Initial and date a copy of the approved E&S Plan or complete, date and sign an inspection report to indicate completion of the construction phase.
(c) Ground cover is located and installed in accordance with the approved E&S Plan.	Initial and date a copy of the approved E&S Plan or complete, date and sign an inspection report to indicate compliance with approved ground cover specifications.
(d) The maintenance and repair requirements for all E&S Measures have been performed.	Complete, date and sign an inspection report.
(e) Corrective actions have been taken to E&S Measures.	Initial and date a copy of the approved E&S Plan or complete, date and sign an inspection report to indicate the completion of the corrective action.

2. Additional Documentation

In addition to the E&S Plan documents above, the following items shall be kept on the site:

- This general permit as well as the certificate of coverage, after it is received.
- Records of inspections made during the previous 30 days. The permittee shall record the required observations on the Inspection Record Form provided by the Division or a similar inspection form that includes all the required elements. Use of electronically-available records in lieu of the required paper copies will be allowed if shown to provide equal access and utility as the hard-copy records.
- All data used to complete the Notice of Intent and order inspection records shall be maintained for a period of three years after project completion and made available upon request. (40 CFR 122.41)

PART III SELF-INSPECTION, RECORDKEEPING AND REPORTING

SECTION C: REPORTING

1. Occurrences that must be reported

Permittees shall report the following occurrences:

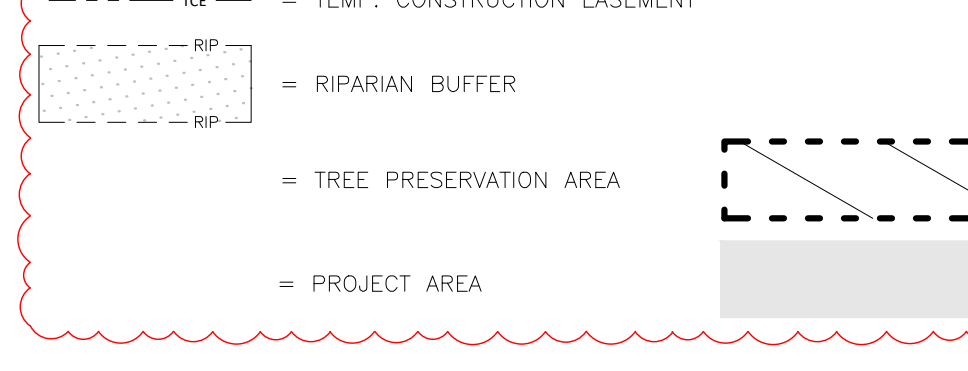
- Visible sediment deposition in a stream or wetland.
- Oil spills:
 - They are 25 gallons or more,
 - They are less than 25 gallons but cannot be cleaned up within 24 hours,
 - They cause sheen on surface waters (regardless of volume), or
 - They are within 100 feet of surface waters (regardless of volume).
- Releases of hazardous substances in excess of reportable quantities under Section 311 of the Clean Water Act (Ref: 40 CFR 110.3 and 40 CFR 117.3) or Section 102 of CERCLA (Ref: 40 CFR 302.4) or G.S. 143-215.85.
- Anticipated bypasses and unanticipated bypasses.
- Noncompliance with the conditions of this permit that may endanger health or the environment.

2. Reporting Timeframes and Other Requirements

After a reporting becomes aware of an occurrence that must be reported, he shall contact the appropriate Division regional office within the timeframes and in accordance with the other requirements listed below. Occurrences outside normal business hours may also be reported to the Division's Emergency Response personnel at (800) 662-7956, (800) 858-0366 or (919) 733-3300.

Occurrence	Reporting Timeframes (With Bypasses) and Other Requirements
(a) Visible sediment deposition in a stream or wetland	<ul style="list-style-type: none"> Within 24 hours, an oral or electronic notification. Within 7 calendar days, a report that contains a description of the sediment and actions taken to address the cause of the deposition. Division staff may waive the requirement for a written report on a case-by-case basis. If the stream is within the NC 330(a) List as impaired for sediment-related causes, the permittee may be required to perform additional monitoring, inspections or apply more rigorous practices. Staff determine that additional requirements are needed to assure compliance with the federal or state imposed water conditions.
(b) Oil spill and release of hazardous substances (100-gal spill)	<ul style="list-style-type: none"> Within 24 hours, an oral or electronic notification. The notification shall include information about the date, time, nature, volume and location of the spill or release. A report of next business day before the date of the bypass. If possible, the report shall include an evaluation of the anticipated quality and effect of the bypass.
(c) Unanticipated bypasses (10 CFR 122.41(d)(3))	<ul style="list-style-type: none"> Within 24 hours, an oral or electronic notification. Within 7 calendar days, a report that includes an evaluation of the quality and effect of the bypass.
(d) Noncompliance with the conditions of this permit that may endanger health or the environment (40 CFR 122.41(d)(7))	<ul style="list-style-type: none"> Within 24 hours, an oral or electronic notification. Within 7 calendar days, a report that contains a description of the non-compliance, and it causes the permittee to take corrective action to correct the non-compliance as expected to continue and steps taken or planned to reduce, eliminate, and prevent recurrence of the non-compliance (40 CFR 122.41(d)(8)). Division staff may waive the requirement for a written report on a case-by-case basis.

NCGO1 SELF-INSPECTION, RECORDKEEPING AND REPORTING EFFECTIVE: 04/01/19



Erosion Control Provisions:

- NO PERSON MAY INITIATE A LAND DISTURBING ACTIVITY BEFORE NOTIFYING WAKE COUNTY WATERSHED MANAGEMENT OF THE DATE THAT THE LAND DISTURBING ACTIVITY WILL BEGIN.
- LAND DISTURBING ACTIVITY BEYOND THAT REQUIRED TO INSTALL APPROPRIATE EROSION CONTROL MEASURES ARE INSPECTED AND APPROVED BY THE ENGINEER.
- SCHEDULING OF A PRE-CONSTRUCTION CONFERENCE WITH THE WAKE COUNTY WATERSHED MANAGER, JEEVAN NEUPANE, PE (919-819-8907) PRIOR TO INITIATING LAND DISTURBING ACTIVITIES IS REQUIRED. FOR INSPECTION CALL 919-819-8907. 48 HOUR NOTICE IS REQUIRED.
- INSTALL TREE PROTECTION FENCING AROUND ALL AREAS OUTSIDE OF THE LIMITS OF DISTURBANCE AS SHOWN ON PLANS.
- PROVIDE 20' X 50' X 6" STONE CONSTRUCTION ENTRANCES AS SHOWN ON PLAN.
- SEED OR OTHERWISE PROVIDE GROUND COVER DEVICES OR STRUCTURES SUFFICIENT TO RESTRAIN EROSION FOR ALL EXPOSED SLOPES WITHIN 7 DAYS OF COMPLETION OF ANY PHASE OF GRADING ON PERIMETER AREAS AND SLOPES STEEPER THAN 3:1. ALL OTHER AREAS SHALL BE STABILIZED WITHIN 14 DAYS.
- CONTRACTOR SHALL INSPECT AND MAINTAIN AS NEEDED ALL EROSION CONTROL DEVICES ON A WEEKLY BASIS AND AFTER EACH MAJOR STORM EVENT. FAILURE TO KEEP ALL EROSION CONTROL DEVICES IN PROPER WORKING ORDER MAY RESULT IN A STOP WORK ORDER OR CIVIL PENALTIES UP TO \$500.00 PER DAY OF VIOLATION.
- THE ENGINEER RESERVES THE RIGHT TO REQUIRE ADDITIONAL EROSION CONTROL MEASURES SHOULD THE PLAN OR ITS IMPLEMENTATION PROVE TO BE INADEQUATE.
- ACCEPTANCE AND APPROVAL OF THIS PLAN IS CONDITIONED UPON YOUR COMPLIANCE WITH FEDERAL AND STATE WATER QUALITY LAWS, REGULATION AND RULES. IN ADDITION LOCAL CITY AND COUNTY ORDINANCES OR RULES MAY ALSO APPLY TO THIS LAND DISTURBING ACTIVITY. APPROVAL BY THE COUNTY DOES NOT SUPERSEDE ANY OTHER PERMIT OR APPROVAL.
- PLEASE BE ADVISED OF THE RULES TO PROTECT AND MAINTAIN EXISTING BUFFERS ALONG WATERCOURSES IN THE NEUSE AND TAR RIVER BASINS. THESE RULES ARE ENFORCED BY THE DIVISION OF WATER RESOURCES (DWR). DIRECT ANY QUESTIONS ABOUT THE APPLICABILITY OF THESE RULES TO YOUR PROJECT TO THE REGIONAL WATER QUALITY SUPERVISOR, RALEIGH REGIONAL OFFICE AT (919) 791-4200.
- ALL AREAS DOWNSTREAM OF TEMPORARY BASINS AND DITCHES ARE TO BE STABILIZED IMMEDIATELY UPON CONSTRUCTION.

Construction Sequence:

- EROSION AND SEDIMENT CONTROL (E&S) PERMIT AND A CERTIFICATE OF COVERAGE (COC) MUST BE OBTAINED BEFORE ANY LAND DISTURBING ACTIVITIES OCCUR.
- CALL WAKE COUNTY WATERSHED MANAGER JEEVAN NEUPANE AT (919) 819-8907 A MINIMUM OF 48 HOURS IN ADVANCE TO SCHEDULE A PRE-CONSTRUCTION MEETING AND FOR NOTIFICATION OF PROJECT START UP.
- ANY DEWATERING ON THE SITE SHALL BE DONE THROUGH A SILT BAG THAT IS CONSTANTLY MONITORED.
- INSTALL GRAVEL CONSTRUCTION PAD, TEMPORARY DIVERSIONS, SILT FENCE, SEDIMENT BASINS OR OTHER MEASURES AS SHOWN ON THE APPROVED PLAN. CLEAR ONLY AS NECESSARY TO INSTALL THESE DEVICES. SEED TEMPORARY DIVERSIONS, BERMS AND BASINS IMMEDIATELY AFTER CONSTRUCTION.
- CALL WATERSHED MANAGER, JEEVAN NEUPANE FOR AN ON-SITE INSPECTION TO OBTAIN A CERTIFICATE OF COMPLIANCE.
- BEGIN CLEARING AND GRUBBING. MAINTAIN DEVICES AS NEEDED. ROUGH GRADE SITE. INSTALL TEMPORARY SKIMMER SEDIMENT BASINS, ALONG WITH TEMPORARY DIVERSION DITCHES THAT SHALL BE INSTALLED TO ENSURE AS MUCH FLOW AS POSSIBLE IS DIRECTED TO THE BASINS.
- AS ROUGH MASS GRADING CONTINUES, SKIMMER SEDIMENT BASINS SHALL BE MAINTAINED AND CLEANED OF SEDIMENT. IN THE FUTURE SITE-SPECIFIC EROSION CONTROL PLAN SKIMMER SEDIMENT BASINS TO BE ABANDONED SHALL BE REMOVED AS FOLLOWS: DEWATER THROUGH SILT BAG, CLEAN SEDIMENT, REMOVE BAFFLES, BACKFILL BASIN AND STABILIZE IMMEDIATELY. DEWATERING OPERATIONS THROUGH SILT BAGS SHALL BE MONITORED CONTINUOUSLY.
- STABILIZE STE AS AREAS ARE BROUGHT UP TO FINISH GRADE WITH VEGETATION, DITCH LININGS, ETC. SEED AND MULCH DENUDED AREAS PER GROUND STABILIZATION TIME FRAME.
- WHEN MASS GRADING IS COMPLETE AND ALL AREAS ARE STABILIZED COMPLETELY, CALL WATERSHED MANAGER JEEVAN NEUPANE FOR INSPECTION.
- IF SITE IS APPROVED, MAINTAIN TEMPORARY DIVERSIONS, SILT FENCE, SEDIMENT BASINS, ETC., AND SEED OR STABILIZED ANY RESULTING BARE AREAS. ALL REMAINING PERMANENT EROSION CONTROL DEVICES, SUCH AS VELOCITY DISSIPATORS, SHOULD NOW BE INSTALLED.
- WHEN VEGETATION HAS BECOME ESTABLISHED, CALL FOR FINAL SITE INSPECTION BY THE WATERSHED MANAGER, JEEVAN NEUPANE. OBTAIN CERTIFICATE OF COMPLETION.

Demolition Notes:

- CONTRACTOR SHALL CONTACT NORTH CAROLINA ONE-CALL CENTER (NC 811) BY DIALING 811 OR 1-800-632-4949 AT LEAST 72 HOURS IN ADVANCE OF ANY LAND DISTURBING ACTIVITY OR DIGGING AND HAVE ALL UNDERGROUND UTILITIES LOCATED PRIOR TO EXCAVATING OR TRENCHING.
- THE CONTRACTOR IS RESPONSIBLE FOR OBTAINING ALL LOCAL AND STATE PERMITS REQUIRED FOR DEMOLITION WORK.
- THE CONTRACTOR SHALL INDEMNIFY AND HOLD HARMLESS THE OWNER AND/OR ENGINEER FOR ANY AND ALL INJURIES AND/OR DAMAGES TO PERSONNEL, EQUIPMENT AND/OR EXISTING FACILITIES IN THE DEMOLITION AND CONSTRUCTION DESCRIBED IN THE PLANS AND SPECIFICATIONS.
- EXISTING CONDITIONS AS DEPICTED ON THESE PLANS ARE GENERAL AND ILLUSTRATIVE IN NATURE AND DO NOT INCLUDE MECHANICAL, ELECTRICAL AND MISCELLANEOUS STRUCTURES. IT IS THE RESPONSIBILITY OF THE CONTRACTOR TO EXAMINE THE SITE AND BE FAMILIAR WITH EXISTING CONDITIONS PRIOR TO BIDDING ON THE DEMOLITION WORK FOR THIS PROJECT. IF CONDITIONS ENCOUNTERED DURING EXAMINATION ARE SIGNIFICANTLY DIFFERENT THAN THOSE SHOWN, THE CONTRACTOR SHALL NOTIFY THE ENGINEER IMMEDIATELY.
- ALL DEMOLITION WASTE AND DEBRIS SHALL BE REMOVED BY THE CONTRACTOR AND DISPOSED OF IN A STATE APPROVED WASTE SITE AND IN ACCORDANCE WITH ALL LOCAL AND STATE CODES AND PERMIT REQUIREMENTS.
- THE BURNING OF CLEARED MATERIAL AND DEBRIS SHALL NOT BE ALLOWED UNLESS CONTRACTOR GETS WRITTEN AUTHORIZATION FROM THE LOCAL AUTHORITIES.
- ASBESTOS OR HAZARDOUS MATERIALS, IF FOUND ON SITE, SHALL BE REMOVED BY A LICENSED HAZARDOUS MATERIALS CONTRACTOR. CONTRACTOR SHALL NOTIFY OWNER IMMEDIATELY IF HAZARDOUS MATERIALS ARE ENCOUNTERED.
- CONTRACTOR SHALL PROTECT ALL CORNER PINS, MONUMENTS, PROPERTY CORNERS, AND BENCHMARKS DURING DEMOLITION ACTIVITIES. IF DISTURBED, CONTRACTOR SHALL HAVE DISTURBED ITEMS RESET BY A LICENSED SURVEYOR AT NO ADDITIONAL COST TO THE OWNER.
- CONTRACTOR SHALL ADHERE TO ALL LOCAL, STATE, FEDERAL, AND OSHA REGULATIONS WHEN OPERATING DEMOLITION EQUIPMENT AROUND UTILITIES.
- CONTRACTOR SHALL PROVIDE AND MAINTAIN TRAFFIC CONTROL MEASURES IN ACCORDANCE WITH THE NCDOT STANDARDS, AND AS REQUIRED BY LOCAL AGENCIES WHEN WORKING IN AND/OR ALONG STREETS, ROADS, HIGHWAYS, ETC. IT SHALL BE THE CONTRACTOR'S RESPONSIBILITY TO OBTAIN APPROVAL AND COORDINATE WITH THE LOCAL AND/OR STATE AGENCIES REGARDING THE NEED, EXTENT, AND LIMITATIONS ASSOCIATED WITH INSTALLING AND MAINTAINING TRAFFIC CONTROL MEASURES.
- CONTRACTOR SHALL PROTECT AT ALL TIMES ADJACENT STRUCTURES AND ITEMS FROM DAMAGE DUE TO DEMOLITION OR CONSTRUCTION ACTIVITIES.
- CONTRACTOR SHALL REMOVE EXISTING VEGETATION AND IMPROVEMENTS WITHIN LIMITS OF DISTURBANCE UNLESS NOTED OTHERWISE.
- TREES OUTSIDE OF CONSTRUCTION LIMITS OR TREES NOT INDICATED TO BE REMOVED SHALL BE PROTECTED.

Wake County Basin Removal Sequence:

- SCHEDULE A SITE MEETING WITH THE ENVIRONMENTAL CONSULTANT TO DETERMINE IF A BASIN CAN BE REMOVED. INSTALL SILT FENCING OR OTHER TEMPORARY EROSION CONTROL MEASURES AS NEEDED PRIOR TO REMOVAL OF THE BASIN.
- CONTACT NCDCEQ - RALEIGH REGIONAL OFFICE (919) 791-4200 TO DETERMINE THE DIVISION OF ENERGY, MINERAL AND LAND RESOURCES CONTACT PERSON TO RECEIVE DEWATERING NOTIFICATIONS. AT LEAST 10 DAYS PRIOR TO BEGINNING DEWATERING ACTIVITY, SEND EMAIL TO NCDCEQ-DEMUR CONTACT PERSON AND COPY ENVIRONMENTAL CONSULTANT THAT MET YOU ON-SITE. THE EMAIL SHOULD INCLUDE: E&S JURISDICTION; WAKE COUNTY, WAKE COUNTY PROJECT; NAME, NUMBER, AND LOCATION (CITY/TOWN), ENVIRONMENTAL CONSULTANT NAME, AND ADDRESS THE FOLLOWING: A) REASON FOR CONVERSION, B) BASIN #, C) DEWATERING METHOD, AND D) ALL OTHER NECESSARY INFO FROM PART II, SECTION 6, ITEM 4 OF THE NCGO1. KEEP EMAIL FOR YOUR NPDES MONITORING DOCUMENTATION.
- AFTER RECEIVING POSITIVE CONFIRMATION FROM NCDCEQ-DEMUR THAT YOU MAY REMOVE THE BASIN OR ON-DAY #1, WHICHEVER IS SOONER, REMOVE BASINS) AND ASSOCIATED TEMPORARY DIVERSION DITCHES. IF PIPES NEED TO BE EXTENDED, PERFORM THIS OPERATION AT THIS TIME. FINE GRADE AREA IN PREPARATION FOR SEEDING.
- PERFORM SEEDBED PREPARATION, SEED, MULCH AND ANCHOR ANY RESULTING BARE AREAS IMMEDIATELY.
- INSTALL VELOCITY DISSIPATORS AND/OR LEVEL SPREADERS AS REQUIRED ON THE EROSION CONTROL PLAN.
- WHEN SITE IS FULLY STABILIZED, CALL ENVIRONMENTAL CONSULTANT FOR APPROVAL OF REMOVING REMAINING TEMPORARY EROSION CONTROL MEASURES AND ADVISE ON WHEN SITE CAN BE ISSUED A CERTIFICATE OF COMPLETION. NOTE: A MEETING SHOULD ALSO BE SCHEDULED WITH THE ENVIRONMENTAL CONSULTANT TO DETERMINE WHEN A BASIN MAY BE CONVERTED FOR STORMWATER USE. SOME MUNICIPALITIES MAY ALSO REQUIRE THIS.

-Final Drawing - Issued for Permit Review Purposes Only

21 JUN 24 REVISED PER REVIEW COMMENTS
11 APR 24 ISSUED FOR INITIAL REVIEW

REVISIONS:

#	DATE	DESCRIPTION
1		
2		

CROSLAND SOUTHEAST

EROSION CONTROL NOTES & LEGEND

WALLBROOK - LOT 8

MASS GRADING / EROSION CONTROL

Town of Rolesville Project No. CID 24-03

Rolesville, Wake County, North Carolina

S Main St. / US-401 Business & Wall Creek Drive

ARK CONSULTING GROUP PLLC

ENGINEERS & PLANNERS

NC License: P-1109

2755 S. Church Blvd.
Raleigh, NC 27606
(919) 558-0888
www.arkconsultinggroup.com

6/1/2024

MASS GRADING / EROSION CONTROL

WALLBROOK - LOT 8

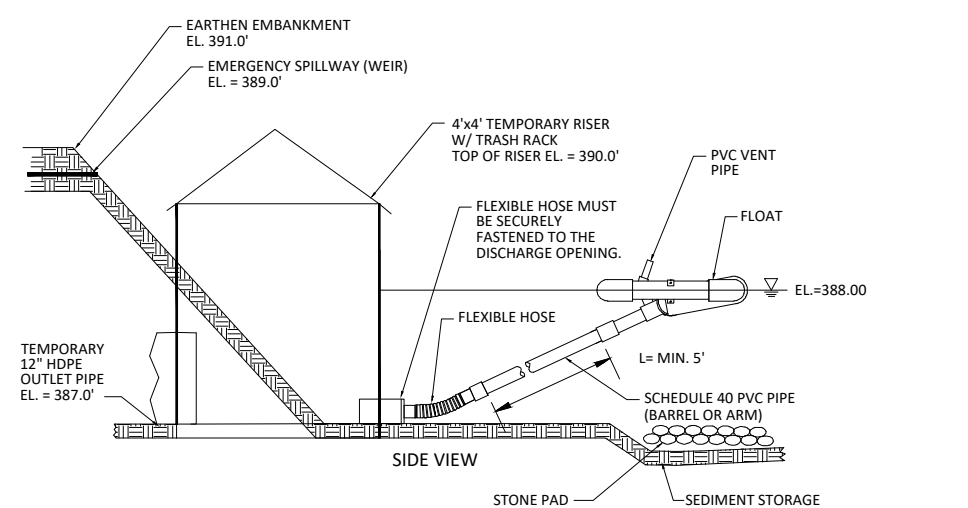
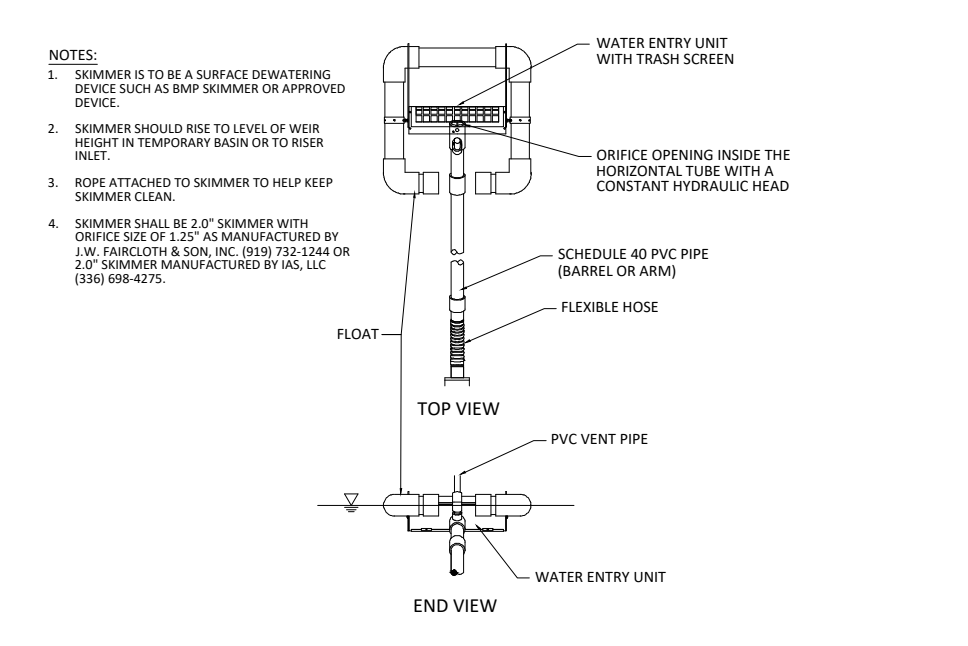
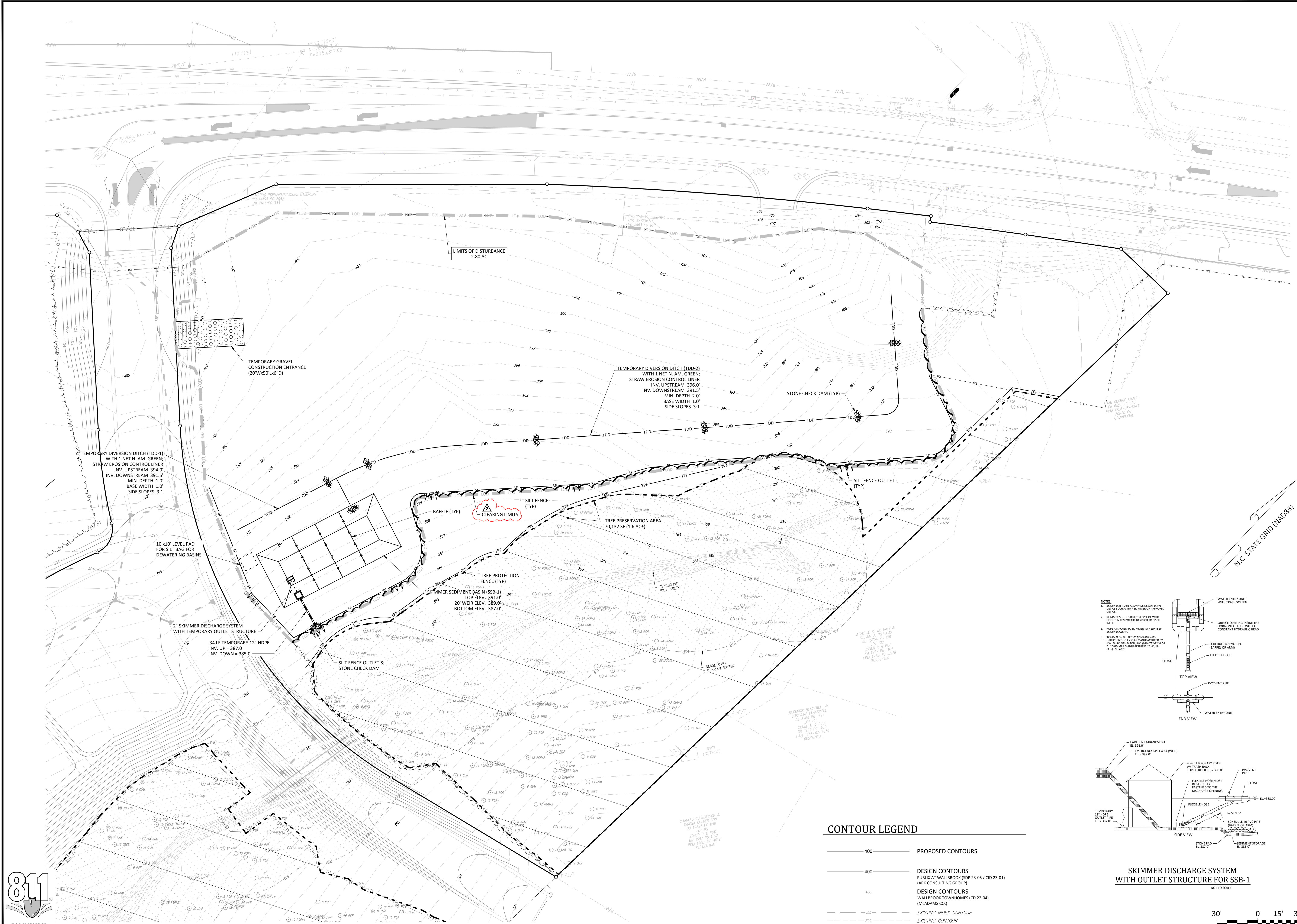
Final Drawing

Permit Review Purposes Only

C1.0

Date: April 1, 2024

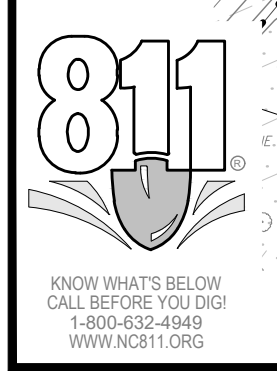
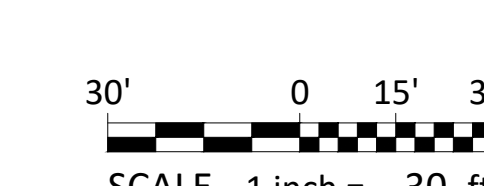
Project Manager:	BCF
Drawn By:	DLC
Checked By:	TN
Project Number:	24137
Drawing Number:	D-1472



CONTOUR LEGEND

— 400 —	PROPOSED CONTOURS
— 400 —	DESIGN CONTOURS PUBUX AT WALLBROOK (SDP 23-05 / CID 23-01)
— 400 —	DESIGN CONTOURS WALLBROOK TOWNHOMES (CD 22-04)
- - - 400 - - -	EXISTING INDEX CONTOUR
- - - 399 - - -	EXISTING CONTOUR

SKIMMER DISCHARGE SYSTEM WITH OUTLET STRUCTURE FOR SSB-1
NOT TO SCALE



- Final Drawing - Issued for Permit Review Purposes Only

#	DATE	DESCRIPTION
1	1-APR-24	ISSUED FOR INITIAL REVIEW
2	3-JUN-24	REVISED PER REVIEW COMMENTS



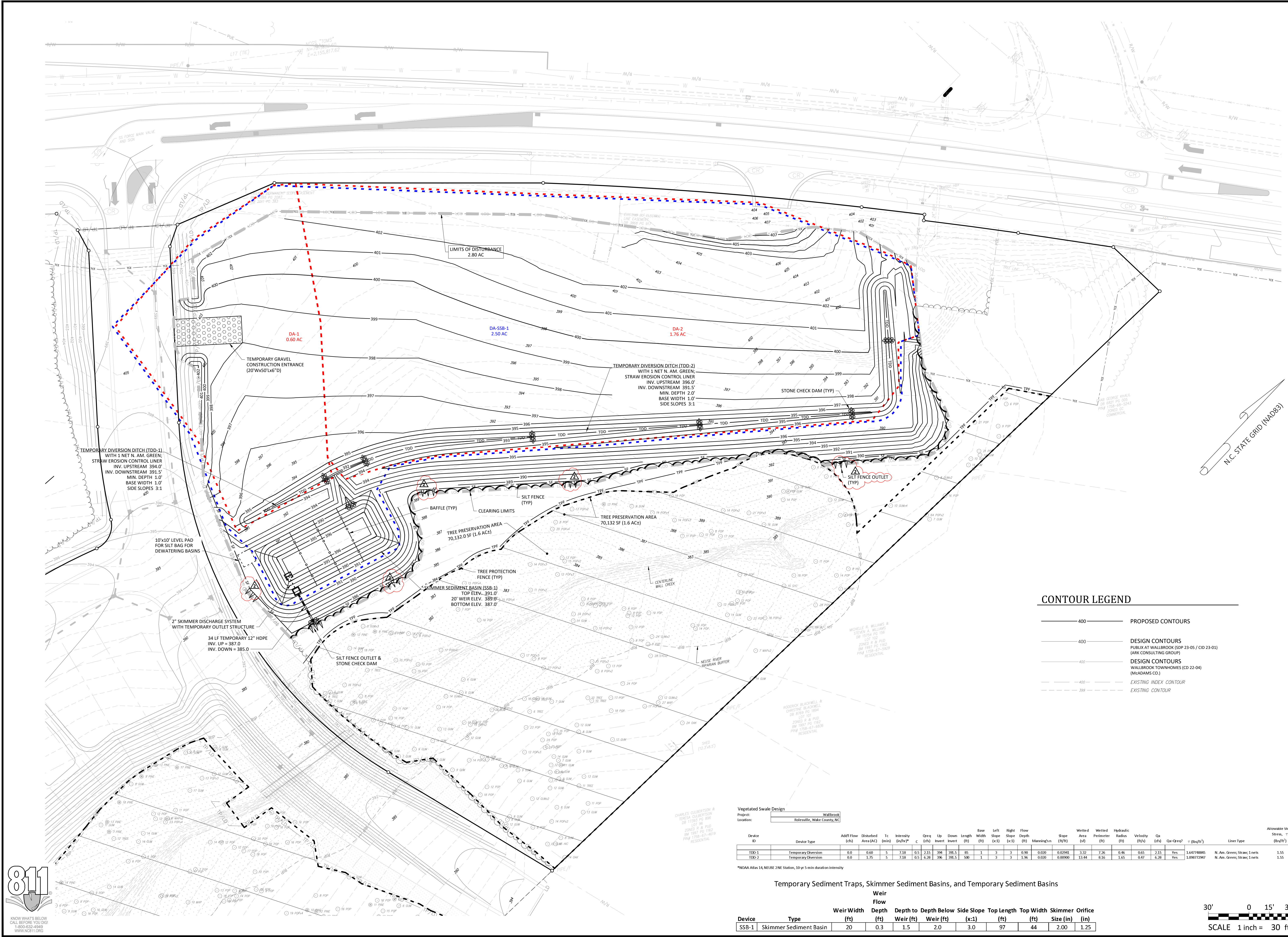
EROSION CONTROL PHASE 1
WALLBROOK - LOT 8
MASS GRADING / EROSION CONTROL
 Town of Rolesville Project No. CID 24-03
 Rolesville, Wake County, North Carolina
 S Main St. / US-401 Business & Wall Creek Drive

NC License: P-1199
ARK CONSULTING GROUP PLLC
 ENGINEERS & PLANNERS
 2755-B Charles Blvd
 Raleigh, NC 27608
 (757) 558-0888
 www.arkconsultinggroup.com

Final Drawing
 6/1/2024

Project Manager:	BCF
Drawn By:	DLC
Checked By:	TN
Project Number:	24137
Drawing Number:	D-1472

C1.1
 Date: April 1, 2024



CONTOUR LEGEND

— 400 —	PROPOSED CONTOURS
— 400 —	DESIGN CONTOURS PUBLIC AT WALLBROOK (SDP 23-05 / CID 23-01) (ARK CONSULTING GROUP)
— 400 —	DESIGN CONTOURS WALLBROOK TOWNHOMES (CD 22-04) (MCADAMS CO.)
- - - 400 - - -	EXISTING INDEX CONTOUR
- - - 399 - - -	EXISTING CONTOUR

Vegetated Swale Design

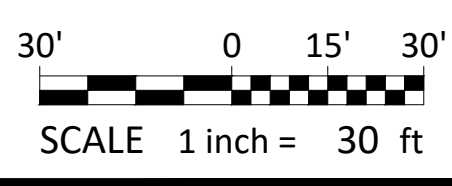
Project: Wallbrook
Location: Raleigh, Wake County, NC

Device ID	Device Type	Adff Flow (cfs)	Detained Area (sq ft)	Tc (min)	Intensity (in/hr)	Qreq (cfs)	Qmax (cfs)	Qmin (cfs)	Qmax (ft)	Qmin (ft)	Base Length (ft)	Left Slope (ft:1)	Right Slope (ft:1)	Flow Depth (ft)	Manning's (ft/s)	Slope (ft/ft)	Wetted Area (sq ft)	Wetted Perimeter (ft)	Hydraulic Radius (ft)	Velocity (ft/s)	Qa (cfs)	Qa-Qreq (cfs)	T (hr)	Liner Type	Allowable Shear Stress (lb/ft ²)
TDD-1	Temporary Diversion	0.0	0.0	5	7.18	0.5	2.15	394	391.5	85	1	3	3	0.90	0.020	0.0294	3.32	7.36	0.46	0.65	2.15	Yes	1.64774045	N. Am. Green; Straw; 1 nets	1.55
TDD-2	Temporary Diversion	0.0	1.75	5	7.18	0.5	6.28	396	393.5	500	1	3	3	1.96	0.020	0.00900	13.84	9.36	1.65	0.47	6.28	Yes	1.698772947	N. Am. Green; Straw; 1 nets	1.55

*NOAA Atlas 14, NEURIS 2NE Station, 30 yr 5 min duration intensity

Temporary Sediment Traps, Skimmer Sediment Basins, and Temporary Sediment Basins

Device	Type	Weir Flow		Depth to Depth Below Weir (ft)	Side Slope (x:1)	Top Length (ft)	Top Width (ft)	Skimmer Orifice		
		Weir Width (ft)	Depth (ft)					Weir Size (in)	Orifice Size (in)	
SSB-1	Skimmer Sediment Basin	20	0.3	1.5	2.0	3.0	97	44	2.00	1.25



- Final Drawing -
Issued for Permit
Review Purposes Only

REVISIONS:

#	DATE	DESCRIPTION
2	3-JUN-24	REVISED PER REVIEW COMMENTS
1	1-APR-24	ISSUED FOR INITIAL REVIEW



EROSION CONTROL PHASE 2 & MASS GRADING PLAN

WALLBROOK - LOT 8

MASS GRADING / EROSION CONTROL

Town of Rolesville Project No. CID 24-03

Rolesville, Wake County, North Carolina

S Main St. / US-401 Business & Wall Creek Drive

NC License: P-1129

ARK CONSULTING GROUP PLLC
ENGINEERS & PLANNERS

2755-B Charles Blvd.
Raleigh, NC 27608
(757) 558-0888
www.arkconsultinggroup.com

Final Drawing
Permit Review Only

6/1/2024

Project Manager: BCF
Drawn By: DLC
Checked By: TN
Project Number: 24137
Drawing Number: D-1472

C1.2

Date: April 1, 2024

